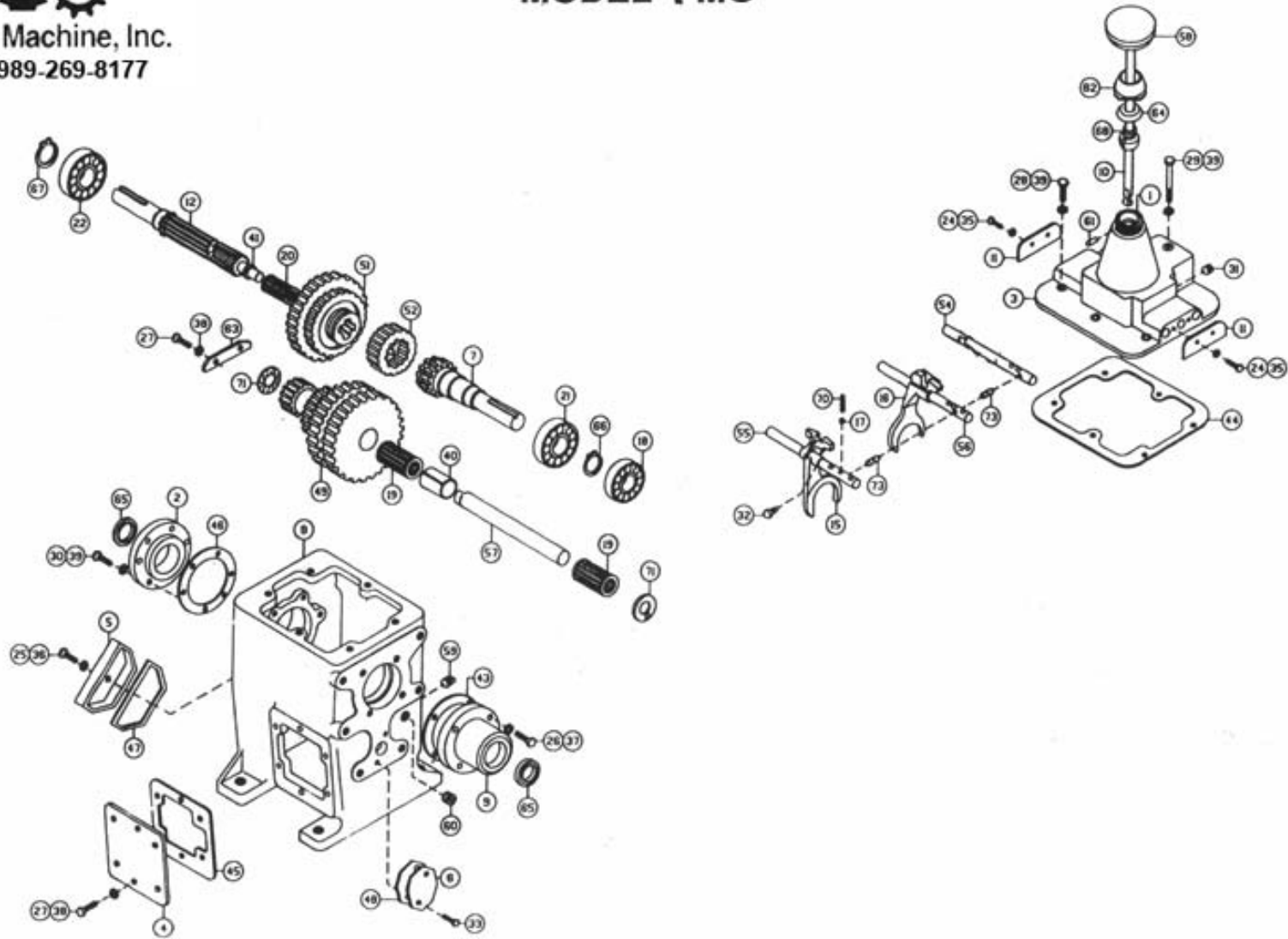


**V**alley  
**G**ear  
& Machine, Inc.  
989-269-8177

# MODEL 4-MS



**MODEL** 4-MS  
 R15020  
**PART NO.** 1  
**HP RATING** 50 @ 1,250 RPM  
**SERIES** 4-M  
**SPEEDS** 4 Forward

Ratios  
 1.000:1  
 1.689:1  
 3.095:1  
 6.410:1

Item	Part No.	Description	Qty	Item	Part No.	Description	Qty
1	316070	Bearing Cap	1	37	418012	Nut-Castellated	1
2	328086	Cover Plate	1	38	418022	Nut	1
3	328102	Cover	1	39	418149	Lockwasher	4
4	328103	Cover	1	40	418154	Washer	1
5	334062	Drive Gear	1	41	418163	Lockwasher	6
6	338097	Shifter Housing	1	42	418179	Washer	8
7	338098	Housing-Gear	1	43	418184	Washer	16
8	338099	Housing-Brg	1	44	418507	Spacer-Gear	1
9	344007	Shift Finger	1	45	418508	Spacer-Ring	1
10	350538	Cover	2	47	442029	Gasket	1
11	356907	Shifter Shaft	1	48	442030	Gasket	1
12	356931	Shaft	1	49	442031	Gasket	1
14	358023	Shifter Head	1	50	442062	Gasket	1
15	358031	Handle	1	51	442156	Gasket	1
17	358047	Yoke-Shifter	1	52	442173	Gasket	1
18	358048	Yoke-Shifter	1	53	442174	Gasket	1
19	400003	Ball Poppet	3	54	444022	Gear-Cluster	1
20	402013	Bearing Cap	1	56	444024	Gear-Sliding	1
21	402018	Bearing-Roller	2	57	444025	Gear-Sliding	1
22	402019	Bearing-Roller	1	59	444027	Shaft-Shift	1
23	402022	Bearing-Ball	1	60	444028	Shaft-Shift	1
24	402023	Bearing-Ball	1	61	444029	Shaft-Shift	1
26	414037	Cap Screw	4	62	444032	Shaft-Gear	1
27	414040	Cap Screw	1	63	468011	Pipe Plug	2
28	414139	Cap Screw	6	64	468018	Pipe Plug	1
29	414230	Cap Screw	8	65	474022	Retainer Plate	1
30	414281	Cap Screw	9	66	486068	Oil Seal	2
31	414244	Cap Screw	1	67	490009	Snap Ring	1
32	414282	Cap Screw	6	68	490015	Snap Ring	1
33	414971	Screw-Poppet	1	70	494016	Spring	4
34	416057	Set Screw	1	71	518007	Thrustwasher	2
35	416137	Set Screw	3	73	530002	Pawl-Shifter	2
36	416236	Screw	2				

Need Dimension/Spec Sheet for 4-MS